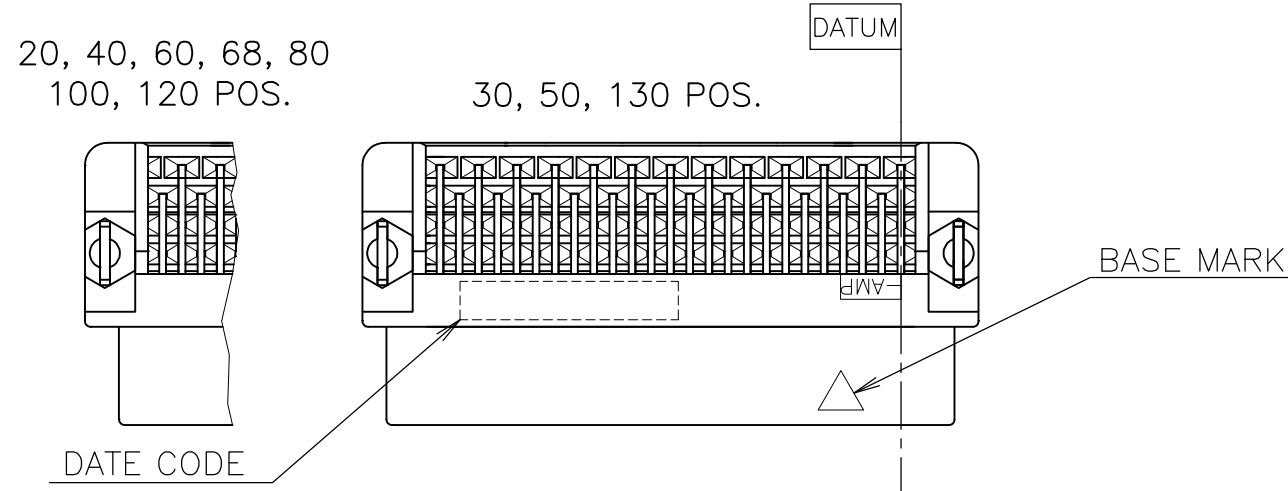
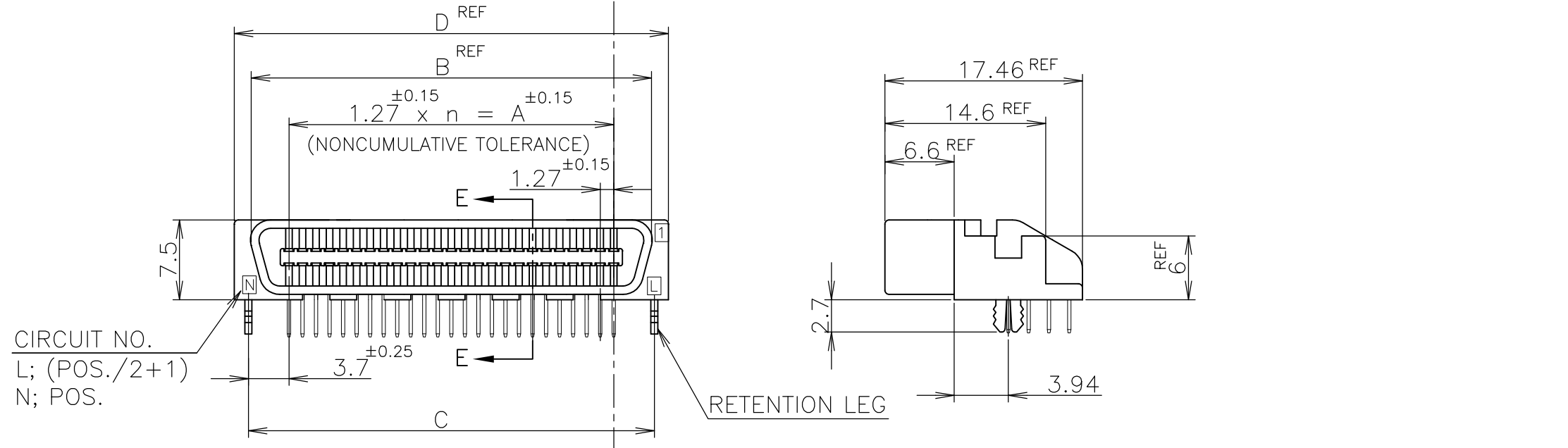


THIS DRAWING IS UNPUBLISHED. RELEASED FOR PUBLICATION AUG, 2004.
 © COPYRIGHT 2004 By - ALL RIGHTS RESERVED.

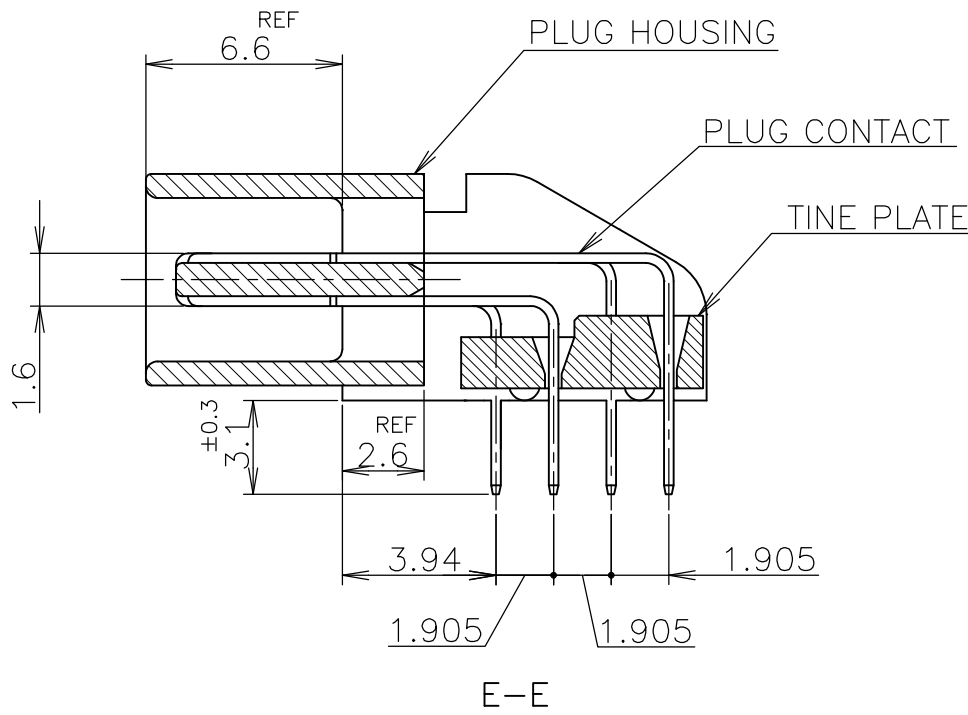
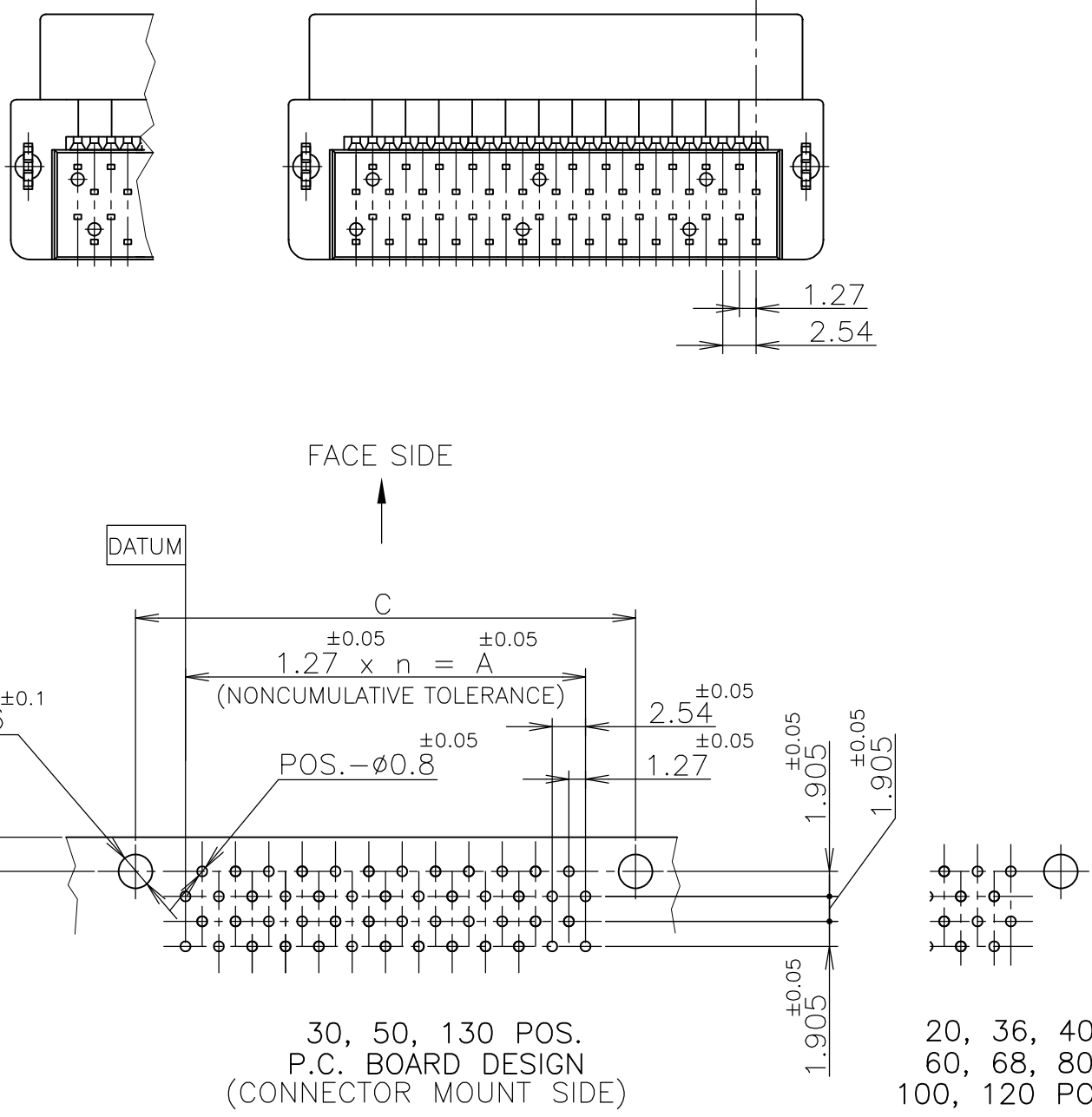
LOC		DIST		REVISIONS				
P	LTR	DESCRIPTION			DATE	DWN	APVD	
A1		REVISED PER ECO-11-005033			13APR11	RK	HMR	



- 1 NUMBER "n" IS COUNTED FROM **DATUM**
(CIRCUIT NO.1 IS "AMP" MARK SIDE.)
- 1 MATERIAL: HOUSING, 66 NYLON (GF) UL 94V-0, BLACK.
: CONTACT, PHOSPHOR BRONZE.
: RETENTION LEG; BRASS.
- 2 FINISH: CONTACT; Au AT CONTACT AREA (SEE TABLE), TIN AT TINE, OVER Ni.
RETENTION LEG; TIN UNDER Ni.



6-	-2		130	64	81.28	89.62	88.68	92.48
6-	-1		120	59	74.93	83.27	82.33	86.13
6-	-0		100	49	62.23	70.57	69.63	73.43
5-	-9		80	39	49.53	57.87	56.93	60.73
5-	-8		68	33	41.91	50.25	49.31	53.11
5-	-7		60	29	36.83	45.17	44.23	48.03
5-	-6		50	24	30.48	38.82	37.88	41.68
5-	-5		40	19	24.13	32.47	31.53	35.33
5-	-4		36	17	21.59	29.93	28.99	32.79
5-	-3		30	14	17.78	26.12	25.18	28.98
5-	-1	0.00076	20	9	11.43	19.77	18.83	22.63
4-	-2		130	64	81.28	89.62	88.68	92.48
4-	-1		120	59	74.93	83.27	82.33	86.13
4-	-0		100	49	62.23	70.57	69.63	73.43
3-	-9		80	39	49.53	57.87	56.93	60.73
3-	-8		68	33	41.91	50.25	49.31	53.11
3-	-7		60	29	36.83	45.17	44.23	48.03
3-	-6		50	24	30.48	38.82	37.88	41.68
3-	-5		40	19	24.13	32.47	31.53	35.33
3-	-4		36	17	21.59	29.93	28.99	32.79
3-	-3		30	14	17.78	26.12	25.18	28.98
3-	-1	0.0005	20	9	11.43	19.77	18.83	22.63
1-	-2		130	64	81.28	89.62	88.68	92.48
1-	-1		120	59	74.93	83.27	82.33	86.13
1-	-0		100	49	62.23	70.57	69.63	73.43
	-9		80	39	49.53	57.87	56.93	60.73
	-8		68	33	41.91	50.25	49.31	53.11
	-7		60	29	36.83	45.17	44.23	48.03
	-6		50	24	30.48	38.82	37.88	41.68
	-5		40	19	24.13	32.47	31.53	35.33
	-4		36	17	21.59	29.93	28.99	32.79
	-3		30	14	17.78	26.12	25.18	28.98
5175472-1		0.0002	20	9	11.43	19.77	18.83	22.63
PART NO.	Au PLATE	POS.	n	A	B	C	D	



LEAD FREE

GENERAL TOLERANCE
 10 ≥ : ±0.2
 30 ≥ > 10: ±0.25
 100 ≥ > 30: ±0.3
 ANGLES: ±3°

THIS DRAWING IS A CONTROLLED DOCUMENT.

DWN Julyee Zhu 18AUG2004	TE Connectivity
CHK Steven Yao 18AUG2004	
APVD Ikuo Enomoto 18AUG2004	
NAME	
PRODUCT SPEC 108-60038	AMP CHAMP .050 CONNECTOR (B-T-B) PLUG CONNECTOR (HORIZONTAL WITH RETENTION LEG)
APPLICATION SPEC	SIZE A2 CAGE CODE 00779 DRAWING NO. C=5175472
MATERIAL	WEIGHT
FINISH	CUSTOMER DRAWING

RESTRICTED TO

SCALE NTS SHEET 1 OF 1 REV A1